

Technical information for Swivel Grips



Swivel grips are special operating elements that are often used on switch cabinets and housings for securely locking doors and panels. These grips provide a practical and efficient way to open and close switch cabinets, while also increasing safety and user-friendliness. The typical design of a swing grip is a rotating handle that is operated by a simple twisting motion. The swivel motion activates a mechanism that locks or unlocks the door.

Different types of swivel grip are available to suit the application requirements. The Kipp programme includes eight different swivel grips with hole spacings of 105 mm and 130 mm, as well as swivel grips for rectangular mounting holes with 50 mm hole spacing.

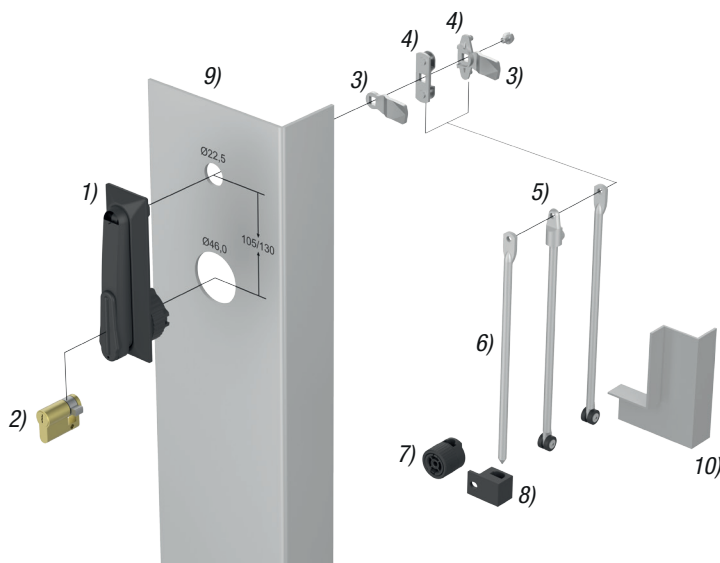
They are made of plastic to ensure high resistance to mechanical stress and environmental influences. Swivel grips with cylinder locks are also available to protect against unauthorised access for applications with high security requirements. The cylinder locks can be ordered separately and installed in the swivel grips.

A major advantage of swivel grips is their ease of use, which enables quick and safe opening and closing of control cabinets. Furthermore, they can often be mounted and adapted to different cabinet types in just a few simple steps. All in all, swivel grips are a functional and secure solution for reliably locking switch cabinets in industrial and commercial applications.

The Kipp range offers customers the option of securing doors with one, two or three locking points.

A single-point locking mechanism is a mechanical locking system that enables secure and reliable locking of doors, hatches or other movable parts by operating a lever at a single point. With 2-point locking the system is secured at two points, and at three points with 3-point locking.

Locking systems with hole spacing 105/130



- 1) K2268 Plastic swivel grip for profile cylinder lock
- 2) K2270 Profile half-cylinder lock for swivel grips
- 3) Tongues for quarter-turn locks
 - K0519
 - K1114
 - K2244
- 4) K2271 Steel, stainless steel or zinc adapter for rods
- 5) K2277 Zinc attachment for round rods
- 6) K2274 Steel round rods for swivel grips
- 7) K2275 Plastic guides for round rods
- 8) K2276 Plastic stops for round rods
- 9) Door
- 10) Switch cabinet

1-point locking

Example:

- 1) K2268 Plastic swivel grip for profile cylinder lock.
- 2) K2270 Profile half-cylinder lock for swivel grips
- 3) K1114 Tongue for quarter-turn lock

2-point locking

Example:

- 1) K2268 Plastic swivel grip for profile cylinder lock
- 2) K2270 Profile half-cylinder lock for swivel grips
- 4) K2271 Steel, stainless steel or zinc adapter for rods
- 5) K2277 Zinc attachment for round rods
- 6) K2274 Steel round rods for swivel grips
- 7) K2275 Plastic guides for round rods
- 8) K2276 Plastic stops for round rods

3-point locking

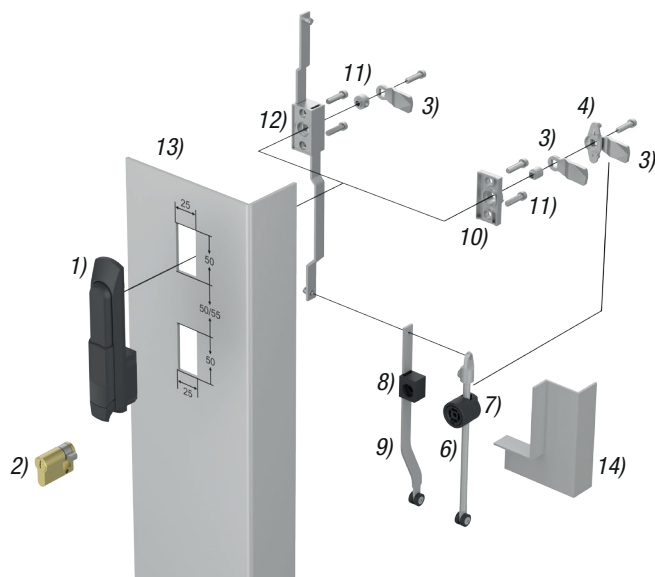
Example:

- 1) K2268 Plastic swivel grip for profile cylinder lock
- 2) K2270 Profile half-cylinder lock for swivel grips
- 3) K1114 Tongue for quarter-turn lock
- 4) K2271 Steel, stainless steel or zinc adapter for rods
- 5) K2277 Zinc attachment for round rods
- 6) K2274 Steel round rods for swivel grips
- 7) K2275 Plastic guides for round rods
- 8) K2276 Plastic stops for round rods

Technical information for Swivel Grips



Locking systems with hole spacing 50x50x50



- 1) K2269 Plastic swivel grip
- 2) K2270 Profile half-cylinder lock for swivel grips
- 3) Tongues for quarter-turn locks
 - K0519
 - K1114
 - K2244
- 4) K2271 Steel, stainless steel or zinc adapter for rods
- 5) K2277 Zinc attachment for round rods
- 6) K2274 Steel round rods for swivel grips
- 7) K2275 Plastic guides for round rods
- 8) K2280 Plastic guides for flat rods
- 9) K2278 Steel flat rod swivel grips
- 10) K2272 Plastic or zinc adapter for tongues
- 11) K2273 Zinc bushes for tongues
- 12) K2279 Plastic or zinc rod lock for flat rods
- 13) Door
- 14) Switch cabinet

1-point locking

Example:

- 1) K2269 Plastic swivel grip
- 2) K2270 Profile half-cylinder lock for swivel grips
- 3) Tongues for quarter-turn locks
 - K0519
 - K1114
 - K2244
- 10) K2272 Plastic or zinc adapter for tongues
- 11) K2273 Zinc bushes for tongues

2-point locking

Example:

- 1) K2269 Plastic swivel grip
- 2) K2270 Profile half-cylinder lock for swivel grips
- 12) K2279 Plastic or zinc rod lock for flat rods
- 5) K2277 Zinc attachment for round rods
- 6) K2274 Steel round rods for swivel grips
- 7) K2275 Plastic guides for round rods
- 8) K2280 Plastic guides for flat rods
- 9) K2278 Steel flat rod swivel grips

3-point locking

Example:

- 1) K2269 Plastic swivel grip
- 2) K2270 Profile half-cylinder lock for swivel grips
- 12) K2279 Plastic or zinc rod lock for flat rods
- 5) K2277 Zinc attachment for round rods
- 6) K2274 Steel round rods for swivel grips
- 7) K2275 Plastic guides for round rods
- 8) K2280 Plastic guides for flat rods
- 9) K2278 Steel flat rod swivel grips

Or:

- 1) K2269 Plastic swivel grip
- 2) K2270 Profile half-cylinder lock for swivel grips
- 10) K2272 Plastic or zinc adapter for tongues
- 11) K2273 Zinc bushes for tongues
- 5) K2277 Zinc attachment for round rods
- 6) K2274 Steel round rods for swivel grips
- 7) K2275 Plastic guides for round rods
- 8) K2280 Plastic guides for flat rods
- 9) K2278 Steel flat rod swivel grips