

## Swivel and fixed castors heavy-duty version

### Item description/product images



### Description

**Material:**

Housing steel plate.  
Wheel treads solid rubber.  
Wheel rims polyamide.

**Version:**

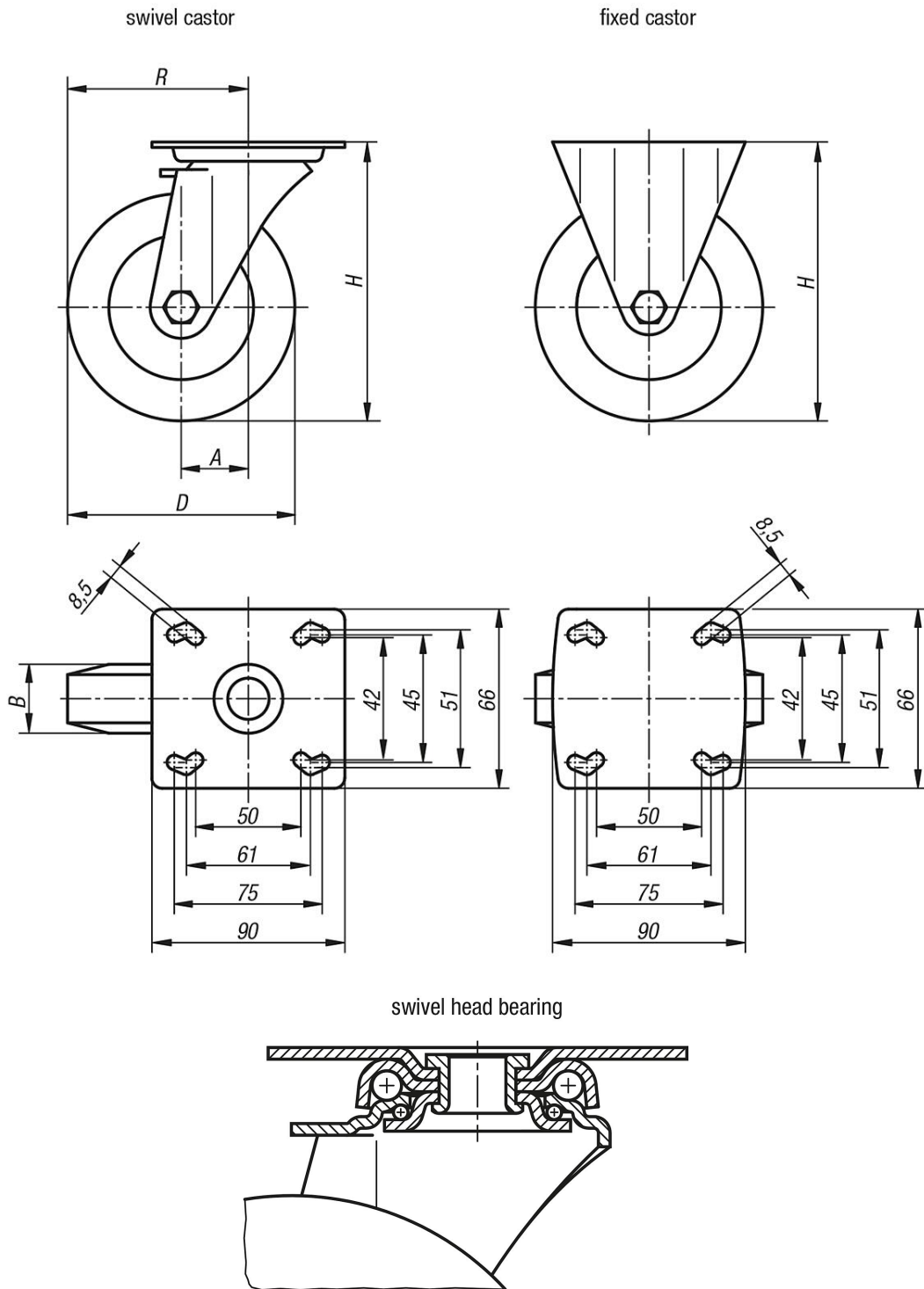
Housing press formed.  
Double ball bearing in the castor head.  
Plain bearing in wheels.

**Note:**

Wheel axle bolted.  
Solid rubber tyres are shock and impact proof and non-corroding.

# Swivel and fixed castors heavy-duty version

## Drawings



## Overview of items

### Swivel and fixed castors heavy-duty version

Order No.	Item	Version 1	Wheel bearing	A	B	D	H	R	Permissible load kg
K1760.080251	Fixed castor	without locking system	plain bearing	-	25	80	111	-	60

## Swivel and fixed castors heavy-duty version

### Overview of items

Order No.	Item	Version 1	Wheel bearing	A	B	D	H	R	Permissible load kg
K1760.100321	Fixed castor	without locking system	plain bearing	-	32	100	136	-	90
K1760.125251	Fixed castor	without locking system	plain bearing	-	25	125	161	-	80
K1760.125321	Fixed castor	without locking system	plain bearing	-	32	125	161	-	100
K1760.08025	Swivel castor	without locking system	plain bearing	40	25	80	111	80	60
K1760.10032	Swivel castor	without locking system	plain bearing	40	32	100	136	90	90
K1760.12525	Swivel castor	without locking system	plain bearing	40	25	125	161	102,5	80
K1760.12532	Swivel castor	without locking system	plain bearing	40	32	125	161	102,5	100
K1760.080252	Swivel castor	with stop-fix locking system	plain bearing	40	25	80	111	80	60
K1760.100322	Swivel castor	with stop-fix locking system	plain bearing	40	32	100	136	90	90
K1760.125252	Swivel castor	with stop-fix locking system	plain bearing	40	25	125	161	102,5	80
K1760.125322	Swivel castor	with stop-fix locking system	plain bearing	40	32	125	161	102,5	100